

Current-Voltage Tester 2700X

Manual



Content

- 1.0 Introduction / Product Package
- 2.0 Safety Measures
- 3.0 Danger of electric shock and other dangers
- 4.0 Intended Use
- 5.0 Testers Information
- 6.0 Preparation for tests
 - 6.1 Auto-power on/ switching on
 - 6.2 Auto-power off
- 7.0 Conducting Tests
 - 7.1 Voltage test
 - 7.1.1 Low Voltage mode
 - 7.2 Current Test
 - 7.3 Single-pole phase test
 - 7.4 Phase rotation test
 - 7.5 Continuity test
 - 7.6 Diode test
 - 7.7 Resistance test
 - 7.8 Frequency test
 - 7.9 NCV Test
 - 7.10 Torch light
 - 7.11 Self test
 - 7.12 HOLD Function
 - 7.13 Backlight
 - 7.14 Buzzer
- 8.0 Battery Replacement
- 9.0 Technical Data
- 10.0 Cleaning and storage
- Warranty

References marked on instrument or in instruction manual:

- ⚠ Warning of a potential danger, follow with instruction manual.
- ⚠ Reference! Please use utmost attention.
- ⚠ Caution! Dangerous voltage. Danger of electrical shock.
- ☐ Continuous double or reinforced insulation category II IEC 536 / DIN EN 61140.
- ⚠ Equipment for working under live voltage.
- CE Conformity symbol, the instrument complies with the valid directives. It complies with the EMV Directive (2014/30/EU), Standard EN 61326-1 are fulfilled. It also complies with the Low Voltage Directive (2014/35/EU), Standard EN61243-3:2014 is fulfilled.
- ⌚ Tester complies with the standard (2012/19/EU) WEEE.
- ⚠ The instruction manual contains information and references, necessary for safe operation and maintenance of the tester.

Prior to using the tester (commissioning/ assembly) the user is kindly requested to thoroughly read the instruction manual and comply with it in all sections.
- ⚠ Failure to read the tester manual or to comply with the warnings and references contained herein can result in serious bodily injury or tester damage.

The respective accident prevention regulations established by the professional associations are to be strictly enforced at all times.
- ⚠ Voltage tester is not a measurement device, it is only allowed to use for testing purposes.

1.0 Introduction / Product Package

Fork Meter 2700X is a universal applicable tester for voltage, current, continuity and rotary field testing and various additional features. The tester is constructed according to the latest safety regulations and guarantee safe and reliable working.

It complies with the standard for two pole voltage testers EN61243-3:2014.

FM 2700X is characterized by the following features:
 Designed to meet international safety standards. EN61243-3:2014

- Measurement Category CAT IV / 600 V
- Measurement Category CAT III / 1000 V
- AC and DC voltage test up to 1000 V with LEDs
- Current test up to 200 A
- AC voltage test up to 1000 V and DC voltage test up to 1500 V with LCD
- Cable break tests by Non Contact Voltage detection
- Polarity indication
- Single-pole phase test
- Phase rotation test and Continuity test
- Resistance measurement
- Frequency measurement
- Vibration motor
- Auto-power ON / OFF
- Torch light and IP64 protection

After unpacking, check that the instrument is undamaged.

- The product package comprises:**
- 1 pc Tester 2700X
 - 2 pcs 4mm test tip adapters
 - 2 pcs GS38 rubber caps
 - 2 pcs batteries 1.5V, IEC LR03
 - 1 pc operating instructions

2.0 Safety Measures

- ⚠ The testers have been constructed and tested in accordance with the safety regulations for voltage testers and have left the factory in a safe and perfect condition.
- ⚠ The operating instructions contain information and references required for safe operation and use of the tester. Before using the tester, read the operating instructions carefully and follow them in all respects.
- ⚠ Depending on the internal impedance of the voltage tester there will be a different capability of indicating the presence or absence of operating voltage in case of the presence of interference voltage.
- ⚠ A voltage tester of relatively low internal impedance, compared to the reference value of 100 kΩ, will not indicate all interference voltages having an original voltage value above the ELV level. When in contact with the parts to be tested, the voltage tester may discharge temporarily the interference voltage to a level below the ELV, but it will be back to the original value when the voltage tester is removed.
- ⚠ When the indication "voltage present" does not appear, it is highly recommended installing earthing equipment before work.
- ⚠ A voltage tester of relatively high internal impedance, compared to the reference value of 100 kΩ, may not permit to clearly indicate the absence of operating voltage in case of presence of interference voltage.
- ⚠ When the indication "voltage present" appears on a part that is expected to be disconnected of the installation, it is highly recommended confirming by another means (e.g. use of an adequate voltage tester, visual check of the disconnecting point of the electric circuit, etc.) that there is no operating voltage on the part to be tested and to conclude that the voltage indicated by the voltage detector is an interference voltage.
- ⚠ A voltage tester declaring two values of internal impedance has passed a performance test of managing interference voltages and is (within technical limits) able to distinguish operating voltage from interference voltage and has a means to directly or indirectly indicate which type of voltage is present.

3.0 Danger of electric shock and other dangers

- ⚠ To avoid an electric shock, observe the precautions when working with voltages exceeding 120 V (60 V) DC or 50 V (25 V) eff AC. In accordance with DIN VDE these values represent the threshold contact voltages (values in brackets refer to limited ranges, e.g. in agricultural areas).
- ⚠ The tester must not be used with the battery compartment open
- ⚠ Before using the tester, ensure that the test lead and device are in perfect working order. Look out e.g. for broken cables or leaking batteries.
- ⚠ Hold the tester and accessories by the designated grip areas only, the display elements must not be covered. Never touch the test probes.
- ⚠ The tester may be used only within the specified measurement ranges and in low-voltage installations up to 1000VAC and 1500VDC.

- ⚠ The tester may be used only in the measuring circuit category it has been designed for.
- ⚠ Before and after use, always check that the tester is in perfect working order (e.g. on a known voltage source).
- ⚠ Make sure that the cables tested for current are double insulated.
- ⚠ The tester must no longer be used if one or more functions fail or if no functionality is indicated.
- ⚠ It is not permitted to use the tester during rain or precipitation.
- ⚠ A perfect display is guaranteed only within a temperature range of -15°C to +55°C at relative air humidity less than 85%.

- ⚠ If the safety of the user cannot be guaranteed, the tester must be switched off and secured against unintentional use.
- ⚠ Safety is no longer guaranteed e.g. in the following cases:
 - obvious damage
 - broken housing, cracks in housing
 - if the tester can no longer perform the required measurements/ tests
 - stored for too long in unfavorable conditions
 - damaged during transport
 - leaking batteries

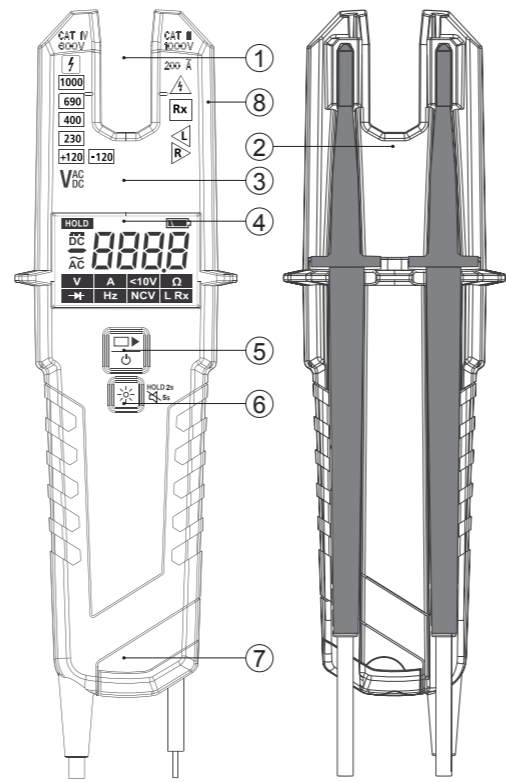
- ⚠ The tester complies with all EMC regulations. Nevertheless it can happen in rare cases that electric devices are disturbed by the electrical field of the tester or the tester is disturbed by electrical devices.
- ⚠ Never use the tester in explosive environment
- ⚠ Tester must be operated by trained users only
- ⚠ Operational safety is no longer guaranteed if the tester is modified or altered.
- ⚠ The tester may be opened by an authorized service technician only.
- ⚠ The current test may only be performed on double insulated cables.

4.0 Intended Use

The tester may be used only under the conditions and for the purposes for which it was designed. Therefore, observe in particular the safety instructions, the technical data including environmental conditions.

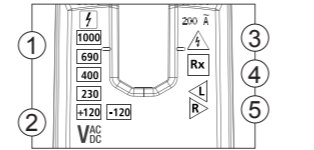
5.0 Testers Information

1. Opening for current measurement
2. Test leads (on back side)
3. LED display
4. LCD display
5. On/Off and function button
6. Torchlight and hold button
7. Battery compartment
8. Sensor for cable break detection, NCV



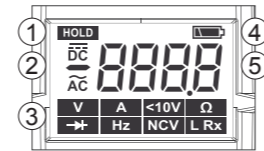
LED Display information

1. Voltage indication
2. Polarity indication (120V LEDs)
3. ELV / Single pole indication
4. Continuity indication
5. Rotary field indication



LCD Display information

1. HOLD symbols
2. AC/ DC and polarity symbols
3. Function symbols (from left to right, upper row: voltage test, current test, low voltage test, resistance test; lower row: diode test, frequency test, cable break detected by NCV, continuity test).
4. Low battery indication
5. 4 digit 7 segment display



6.0 Preparation for tests

6.1 Auto-power-on/ switching on

- The tester switches on when it detects shorten tips, or an AC or DC voltage above approx. 6 V or a live phase on L2+ (single pole test).
- It can be switched on with a button.

6.2. Auto-power off

- Tester is automatically powered off after approx.10 sec when there is no signal contacted to the probes.
- The torch light automatically switches off after approx. 30 sec.

7.0 Conducting Tests

7.1 Voltage test

- Connect both probes to the object under test.
- The voltage is indicated by LEDs if >120 V.
- The buzzer and vibration function turn on if the voltage is higher than 50 V AC or 120 V DC.
- Voltage polarity is indicated in following manner on LCD.
 - ▶ AC: AC symbol is on
 - ▶ +DC: DC symbol is on
 - ▶ -DC: - symbol and DC symbol is on
- Above 120 V, the polarity is shown on the LED display as well.
 - ▶ AC: both 120 V LEDs are on
 - ▶ +DC: left 120 V LED is on
 - ▶ -DC: right 120 V LED is on
- Once when tester is power on, it will automatically measure voltage in range 6V-1000VAC/1500VDC.

- ⚠ During voltage test, L or R LED/Symbol may light up.
- ⚠ In case of empty batteries, only the ELV LED lights up >50 V.

7.1.1 Low Voltage mode – 1V-1000VAC/1500VDC

- Press On/Off/Function button repeated until LCD shows <10V symbol.
- In Low Voltage mode it is possible to measure AC and DC voltage from 1V.
- Connect both probes to the object under test.
- Voltage display is as in 7.1 described.
- ⚠ Continuity mode is disabled in Low Voltage Mode.

7.2 Current test

- Press On/Off/ Function button repeated until LCD shows A symbol.
- In current test mode, currents between 0.1 A and 200 A can be tested.
- Cable needs to be positioned in center of the opening at the height of the markings left and right.
- Make sure that only double insulated cables are measured.
- Store test probes safely to avoid any unintended connection.
- Tester switch to voltage measurement if voltage is detected >6 V

7.3 Single-pole phase test

- ⚠ Function of this test may not be fully achieved if the insulation condition/ grounding conditions of user or of the equipment under test aren't good enough. Verification of live-circuit shouldn't be dependent on this Single-pole phase test only, but on the voltage test.
- Hold the tester good in your hand. Connect the "L2 +" probe to the object under test. Live circuit LED lights up and buzzer sounds when a voltage of approx. 100 V AC or more exists in the object under test. (Pol≥100 V AC).
- Indication of Single Pole is via LED.

7.4 Phase rotation test

- L LED (symbol) and R LED (symbol) for Phase rotation test may operate on various wiring systems, but effective testing result can be obtained only on three-phase 4-wire system.
- Hold the tester good in your hand and connect both probes to the object under test.
- Phase-to-phase voltage is indicated by Voltage LEDs and LCD.
- R LED lights up for Right rotary field.
- L LED lights up for Left rotary field.
- Measurement principle: The instrument detects the phase rising order regarding the user as earth.
- ⚠ Function of this test may not be fully achieved if the insulation condition/ grounding conditions of user or of the equipment under test is not good enough.

7.5 Continuity test L Rx

- ⚠ Make sure the object under test isn't live.
- Connect both test probes to the object under test.
- Continuity is shown by light up of the LED and a sound if resistance is below 500 kOhm.
- If a lower threshold for continuity is preferred, low continuity mode can be selected.

- Press Torchlight-function button repeated until LCD shows LRx symbol is shown on LCD.
- Continuity is shown by light up of LED and sound if resistance is below 20 Ohm.
- ▶ Continuity test performed automatically in all modes except in Low Voltage and Current mode.
- ▶ Tester switch to voltage measurement if voltage is detected during continuity testing >6 V.

7.6 Diode test

- ⚠ Make sure the object under test isn't live.
- Switch into diode testing mode by short pressing On/ Off-function button repeated until → symbol is shown on LCD. Connect both test probes to the diode under test.
 - ▶ The continuity LED lights and the buzzer sounds when L1 is connected to the anode and L2 is connected to the cathode.
 - ▶ Continuity indication will be off if L1 tip is connected on Cathode of diode and L2 tip on Anode.
 - ▶ Tester switch to voltage measurement if voltage >6 V or Single pole is detected during diode testing.

7.7 Resistance test

- ⚠ Make sure the object under test isn't live.
- Switch into resistance measurement by pressing On/ Off-function button repeated until kΩ symbol is shown on LCD. Connect both test probes to the object under test. Resistance up to 100 kΩ can be shown on LCD. For resistance less than ~20 Ω buzzer sounds continuously to indicate low continuity.

Tester switch to voltage measurement if voltage >15 V or Single Pole is detected.

7.8 Frequency test

- Switch into frequency measurement by short pressing On/Off-function button repeated until Hz symbol is shown on LCD. Connect both test probes to the AC voltage under test. Frequency from 1 Hz to 800 Hz can be shown on LCD.
- Frequency measurement is possible for voltages >10V AC.
- ⚠ The level of voltage will be shown only on bar graph for voltages >120 V. ELV diode will indicate voltages >50 V AC and >120 V DC.

7.9 Cable break detection by NCV

- Switch into frequency measurement by pressing On/ off-function button repeated. LCD will show NCV symbol.
- The NCV function is used to find e.g. after a cable breaks.
- Hold the voltage tester with the sensor against the wire or cable. The voltage tester indicates the strength of the signal digitally on the LCD screen.
- Store test probes safely to avoid any unintended connection.
- Tester switch to voltage measurement if voltage >6 V or single pole is detected between probes.

7.10 Torch light

- Press the "torchlight" button to turn on the light and after approx. 30 s it will turn itself off.

7.11 Self test

- LEDs and all LCD segments and vibration motor, torch light, ELV indication and buzzer are turned on for a second after battery replacement.
- Selftest can be activated:
 - ▶ Shorting L1(-) and L2(+) probe tips while device is turned OFF – leave device OFF for 30 seconds before shortening tips.

7.12 HOLD Function

- Long press (2 seconds) on "torchlight/function" button activates HOLD function and freezes display value. With short press on "torchlight/function" button freezing of display is released. When HOLD function is active **HOLD** symbol will be shown on LCD.

7.13 Backlight

- White Backlight is turned on when torch light is turned on.

7.14 Buzzer

- Press the „torchlight“ button for 5s to switch the buzzer off or on. The display indicates with "b_0" (buzzer off) and with "b_1" (buzzer on) the status of the buzzer for 2s on LCD. By default the buzzer is on (as well after battery replacement).

8.0 Battery Replacement

- ⚠ Remove the probes from any testing point, when opening the battery case. Batteries are dead when the continuity test with both test probes connected cannot be done anymore and the low battery symbol is shown in the LCD.

Follow the procedure below and replace batteries with new ones (type IEC LR03 1.5 V).

- Unscrew the battery door
- Pull out the battery door and replace the batteries. Insert new batteries according to the engraving on the battery door.
- Re-assemble battery door.
- ⚠ Confirm that the battery door case is properly locked prior to measurements.

9.0 Technical Data

Voltage Range	1...1000 V AC (15...800 Hz), 1...1500 V DC(±)
LED nominal Voltage	120/230/400/690/1000 V
LED tolerances	EN 61243-3
ELV indication LED	>50 V AC, >120 V DC
Response time	<1s at 100% of each nominal value
LCD Range	1...1000 V, AC (15...800 Hz), 1...1500 V DC(±)
LCD Resolution	0.1 V (1...29.9 V), 1 V (30...1500 V)
LCD Accuracy	±3% ±1.5 V (1...29.9 V) ±3% ±3dgt (30...1500 V)
LCD Overrange indication	"OL"

Current Test	0.1...200 A AC(+/-3%+5Dgt) Resolution 0.1 A Frequency range 45...65 Hz
Safety current	Is<3.5 mA (at 1000 V AC), <6 mA at 1500 V DC
Measurement Duty	30 s ON, 240 s OFF
Internal battery consumption	approx. 120 mA
Single-pole phase test voltage range	100...1000 V AC (50/60 Hz)
Phase rotation test	170...1000 V phase-to-phase, AC (40...70 Hz)
Continuity test	0...500 kΩ + 50%
Resistance measurement	0...100 kΩ; accuracy: ±5%±10dgt@25°C; resolution: 1 Ω (1-2000 Ω) 1 kΩ (2-100 kΩ)
Frequency measurement	1...800 Hz ±5%±5dgt; resolution: 1 Hz
NCV Test	100...1000 V AC (50/60 Hz)
Battery	3V (IEC LR03 1.5 V x 2)
Temperature	-15...55°C operation; -20...70°C storage; No condensation
Humidity	max. 85% RH
Altitude	up to 2000 m
Overvoltage	CAT IV/600 V, CAT III/1000 V
Standard	EN/IEC 61243-3:2014
Protection	IP64

10.0 Cleaning and storage

- ⚠ Tester does not need any special maintenance if used according to user manual.
- ⚠ Remove tester from all test points before cleaning.
- ⚠ Use a lightly damp cloth with neutral detergent for cleaning the instrument. Do not use abrasives or solvents.
- ⚠ Do not expose the instrument to direct sun light, high temperature and humidity or dewfall.
- ⚠ Remove batteries when the instrument will not be in use for a long period.

Warranty

Our instruments are subject to strict quality control. However, should the instrument function improperly during normal use, you are protected by our 6-month warranty (valid with invoice or receipt).

Within the warranty period we will decide whether to exchange or repair the defective instrument. We will repair free of charge any defects in workmanship or materials, provided the instrument is returned unopened and untempered with.

Damage due to dropping or incorrect handling are not covered by the warranty. If the instrument shows failure following expiry of warranty our service department can offer you a quick and economical repair.

Subject to changes without notice!



Elma Instruments A/S
 Ryttermarken 2
 DK-3520 Farum
 T: +45 7022 1000
 F: +45 7022 1001
 info@elma.dk
 www.elma-instruments.com