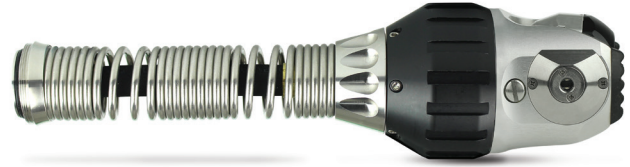
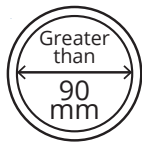


Pan, Rotate and Laser Camera

Continuous 360° rotation and +/-135° pan. Integral distance sensor and visible lasers to enable accurate pipe diameter, defect and object measurement.



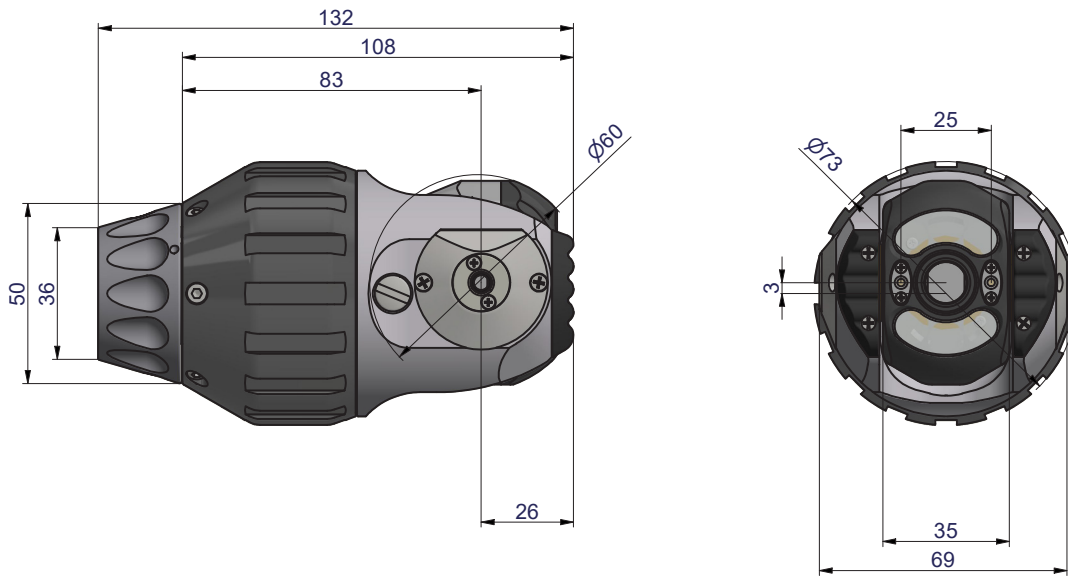
Compatibility



Technical Data

Pipe Diameter Measurement Range	90 - 600mm
Aligned Laser Spacing	25mm
Camera Sensor	470 HTVL
Sensitivity	<1.0 Lux
Aperture/Field of view	F2.5/75°
Maximum Illumination Intensity	12.5k Lux at 150mm
Pressure Depth Rating	1 bar (14.50psi)
Dimensions	132 x 73 x 73mm
Weight	865g

Pan, Rotate and Laser Camera



Front View



Side View



CAM026L on CPL150S Crawler

