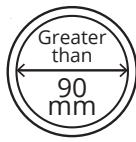


Pan, Rotate, Zoom and Laser Camera

Optical and digital zoom function to allow distant objects to be viewed in much greater detail. Continuous 360° rotation and +/-135° pan. Integral distance sensor and twin lasers to enable accurate pipe diameter, defect and object measurement.



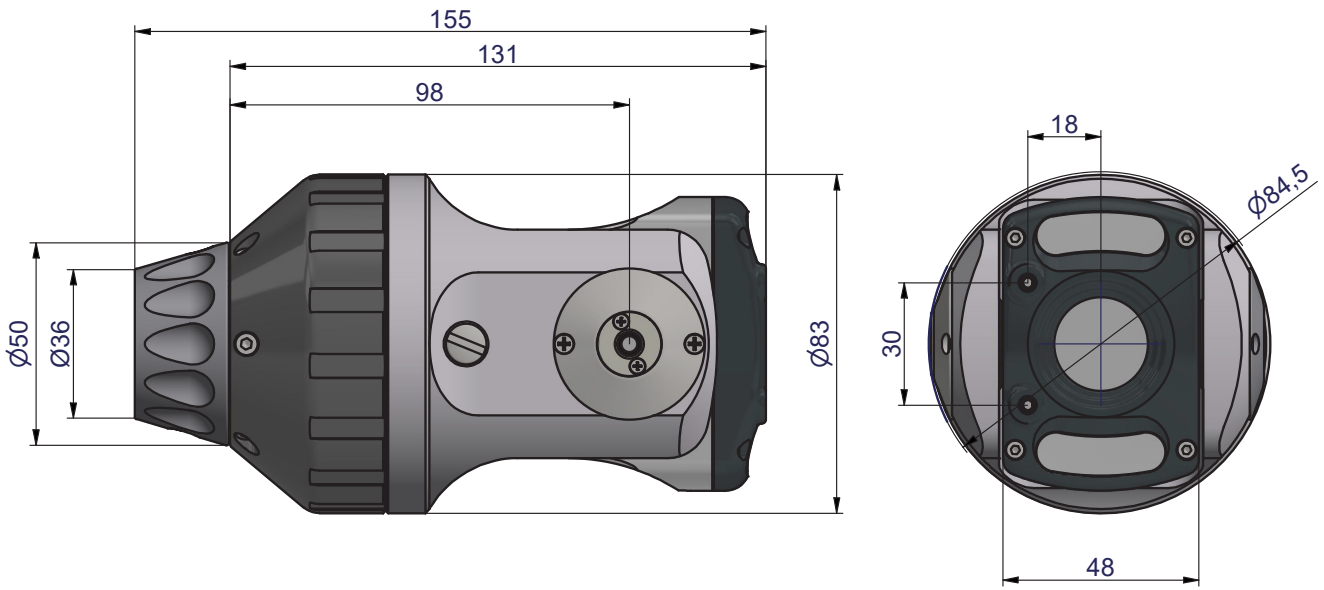
Compatibility



Technical Data

Pipe Diameter Measurement Range	90 - 600mm
Aligned Laser Spacing	30mm
Camera Sensor	800 HTVL
Sensitivity	<1.0 Lux
Aperture/Field of view	F1.8 - F2.9 / 46° - 4.6°
Maximum Illumination Intensity	12.5k Lux at 150mm
Pressure Depth Rating	1 bar (14.50psi)
Dimensions	155 x 84.5 x 84.5mm
Weight	1148g

Pan, Rotate, Zoom and Laser Camera



Front View



Rear View



Side View

