

MT40 INCLINED LIQUID COLUMN MANOMETERS

Pressure / Depression

The MT range of inclined liquid column portable manometers, developed and manufactured by KIMO, are particularly recommended for those in the heating trade for checking pressures in chimney flues, combustion chambers, filters...



KEY POINTS

- Easy to carry
- Safety reservoir enabling momentaneous overshooting of the scale
- Zero adjustment by moving the slide strip
- Integrated spirit level for adjusting horizontality.
- Equipped with valve connectors, magnetic fixations, support with base plate
- Can be used for measuring speeds with Pitot tube.
- Supplied with connecting sleeves, bottle of VOLT 1 S liquid and travelling case.

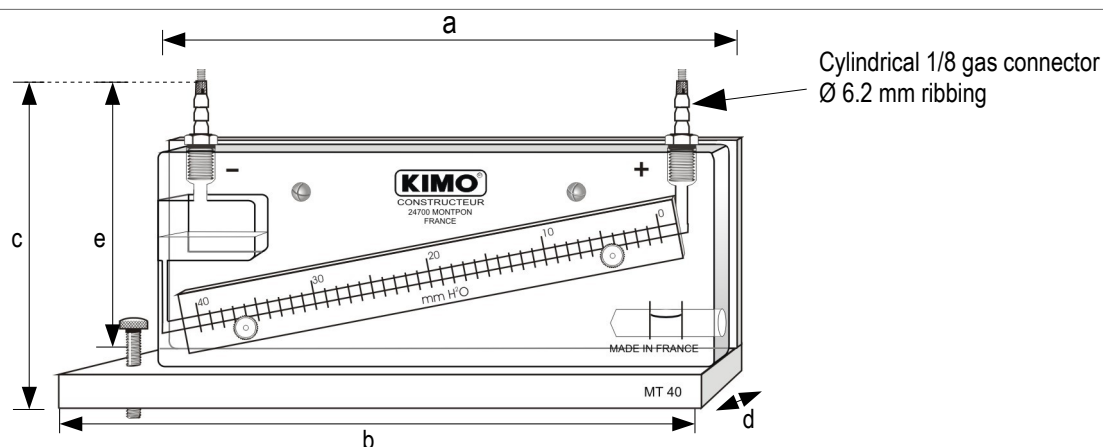
MEASURING RANGE

Reference	Measuring range (mm CE)	Sensitivity scale For 1 mm CE	Résolution
MT 40	0 – 40	4 mm	1 mm CE

TECHNICAL FEATURES

Recommended range of use	From +5 to +30°C
Possible range of use	From -30 to +60°C
Maximum static pressure	6 bars
Manometer body	Transparent 15 mm thick Altuglas
Liquid column	Entirely bored in the solid block, Ø 4 mm
Graduated slide strip	Transparent Altuglas. Cross-section 20 X 2 mm
Zero adjustment	By moving the graduated slide strip, travel 20 mm. Fixed via milled, nickel-plated brass screw
Positioning	Horizontal positioning via integrated spirit level and milled, nickel-plated brass adjusting screw, vertical travel 12 mm.
Manometric liquid	VOLT 1S oil - density 1.86 at 20°C.
Reservoir capacity	20 ml
Connection	on valve connectors in nickel-plated brass Ø 6.2 mm neoprene tubes with connecting sleeves.

DIMENSIONS



Reference	a	b	c	d	e	Weight
MT 40	193 mm	208 mm	93 mm	37 mm	80 mm	800 g

MOUNTING

1. Place the manometer on a horizontal surface or a vertical partition wall by using the magnetic fixations.
2. Set horizontality by using the integrated level and the milled adjusting screw.
3. Unscrew the connector on the reservoir and slacken the milled wheel on the other connector by one turn.
4. Slowly pour the manometric liquid to zero point on the graduation.
5. Remount the connector without overtightening.
6. Connect the manometer with the tube provided to the pressure or depression source to be checked.

NOTE :

For a **pressure** measurement.....Connect the crystal tube to the **right-hand connector (+)**
 For a **depression** measurement.....Connect the crystal tube to the **left-hand connector (-)**
 For a **differential pressure**.....Connect the highest pressure to the **right-hand connector (+)** and the lowest pressure to the **left hand connector (-)**

MAINTENANCE :

MT40 manometer requires no special maintenance other than simply changing the reading liquid once a year.

www.kimo.fr

Distributed by :



EXPORT DEPARTMENT
 Tel : + 33. 1. 60. 06. 69. 25 - Fax : + 33. 1. 60. 06. 69. 29
 e-mail : export@kimo.fr